



TOOLMED® TRAUMA SYSTEM PRODUCT CATALOG

People-oriented™ technology



Toolmed
Orthopaedic Business
Worldwide Headquarters

Changzhou Toolmed Medical Instrument Co.
No.23 Wangcai Road,
Konggang Industrial Park,
Luoxi Town, Xinbei District,
213000, Changzhou, Jiangsu,
P.R. of China

(0086) 519 83407182
Customer Service: (0086) 519 83407182

The product technique shown is for illustrative purposes only. The technique(s) actually employed in each case will always depend upon the medical judgment of the surgeon exercised before and during surgery as to the best mode of treatment for each patient.

Please see the package insert for the complete list of indications, warnings, precautions, and other important medical information.

Note: Manuals can be viewed using a current version of any major internet browser. For best results, use Adobe Acrobat Reader with the browser.

© 2022 Toolmed. All rights reserved. Toolmed, Toolmed logo and People-oriented are trademarks of Toolmed. All other brands are trademarks of a Toolmed company. EN PMV20220630-1.0/300

For more information visit
www.cztoolmed.com



COMPANY PROFILE



Changzhou Toolmed medical instrument Co., Ltd. (TOOLMED), founded in 2013, is one of the leading orthopedic manufacturers in China, specializes on the research, design, manufacturing and sales of the orthopedic products including trauma locking plates, intramedullary nails, spinal implants, external fixators, orthopedic instruments and veterinary orthopedics. TOOLMED has 100+ experienced operators, 60+ advanced CNC machines, operates under consistent and strict quality system that complies with ISO 9001, ISO 13485, CE 0123 and GMP Compliance. We are committed to providing premium and safe products at affordable prices, quick logistics, dedicated after-sale service and constant doctor' s support globally. We also provide OEM/ODM services to match customer' s special demands. Up to the present, TOOLMED products are successfully exported to 20+ countries and have achieved well recognition and good feedback.

FAQ

Q 1. Are you a trading company or manufacturer?

A: We are a manufacturer located in Changzhou Jiangsu China.

Q 2. What is your payment method?

A: We accept T/T, Western Union, Paypal, Alibaba.

Q 3. What is your delivery time?

A: We have plenty of stock and we can ship the order very soon in 1 week if stock available.

Q 4. What is the delivery way?

A: We ship the order via DHL, UPS, FEDEX, TNT etc.

Q 5. Do you provide FREE samples?

A: Yes, we offer free sample, and you only need to bear the freight cost.

Q 6. What is the warranty of your products?

A: We give 5 years warranty for our products.

PRODUCT CONTENT

Locking Plate System	01-14
Mini-Plate System	15-21
Mini Locking Plate System	22-24
Cannulated Screw System	25-29
Intramedullary Nail System	30-39

Locking Plate System



Indication

The locking plate system is indicated for internal fixation of fractures of the clavicle, humeral, ulna&radius, tibia, femur, calcaneus, metacarpals, pelvis, etc. It may also be used in revision surgery of pseudoarthrosis, non-union and mal-union, osteotomies.

Features & Benefits

- Anatomically pre-contoured plate.
- Reduced plate thickness in the periarticular region.
- Rounded and tapered plate ends.
- K-wire or suture holes for temporary plate fixation.
- Cortical screw can be used.
- Limited contacts design on the plate's under-surface.

Femur LC-LCP



P/N	Material	Spec.	Length
030071001006	TA3	6H	133
030071001007	TA3	7H	151
030071001008	TA3	8H	169
030071001009	TA3	9H	187
030071001010	TA3	10H	205
030071001011	TA3	11H	223
030071001012	TA3	12H	241
030071001014	TA3	14H	277
030071001016	TA3	16H	313
030071001018	TA3	18H	349

Using 5.0mm locking screws, 4.5mm cortical screws.

Proximal Lateral Femur Locking Plate III



P/N	Material	Spec.	Length
030071002005	TA3	5H, L	118
030071002007	TA3	7H, L	154
030071002009	TA3	9H, L	190
030071002011	TA3	11H, L	226
030071002013	TA3	13H, L	262
030071002105	TA3	5H, R	118
030071002107	TA3	7H, R	154
030071002109	TA3	9H, R	190
030071002111	TA3	11H, R	226
030071002113	TA3	13H, R	262

Using 5.0mm/6.5mm locking screws, 4.5mm cortical screws.

Proximal Femur Condylar Locking Plate



P/N	Material	Spec.	Length
030071074104	TA3	4H, L	149
030071074106	TA3	6H, L	187
030071074108	TA3	8H, L	225
030071074110	TA3	10H, L	263
030071074112	TA3	12H, L	301
030071074114	TA3	14H, L	339
030071074116	TA3	16H, L	377
030071074004	TA3	4H, R	149
030071074006	TA3	6H, R	187
030071074008	TA3	8H, R	225
030071074010	TA3	10H, R	263
030071074012	TA3	12H, R	301
030071074014	TA3	14H, R	339
030071074016	TA3	16H, R	377

Using 5.0mm/6.5mm locking screws, 4.5mm cortical screws.

Distal Lateral Femoral Supracondylar Locking Plate



P/N	Material	Spec.	Length
030071075104	TA3	4H, L	110
030071075105	TA3	5H, L	128
030071075106	TA3	6H, L	146
030071075107	TA3	7H, L	163.5
030071075108	TA3	8H, L	182
030071075109	TA3	9H, L	200
030071075110	TA3	10H, L	218
030071075111	TA3	11H, L	236
030071075112	TA3	12H, L	254
030071075113	TA3	13H, L	270
030071075114	TA3	14H, L	286
030071075004	TA3	4H, R	110
030071075005	TA3	5H, R	128
030071075006	TA3	6H, R	146
030071075007	TA3	7H, R	163.5
030071075008	TA3	8H, R	182
030071075009	TA3	9H, R	200
030071075010	TA3	10H, R	218
030071075011	TA3	11H, R	236
030071075012	TA3	12H, R	254
030071075013	TA3	13H, R	270
030071075014	TA3	14H, R	286

Using 5.0mm/6.5mm locking screws, 4.5mm cortical screws.

Distal Femur Locking Plate II



P/N	Material	Spec.	Length
030071032005	TA3	5H, L	122
030071032006	TA3	6H, L	140
030071032007	TA3	7H, L	158
030071032008	TA3	8H, L	176
030071032009	TA3	9H, L	194
030071032010	TA3	10H, L	212
030071032011	TA3	11H, L	230
030071032012	TA3	12H, L	248
030071032013	TA3	13H, L	266
030071032014	TA3	14H, L	284
030071032105	TA3	5H, R	122
030071032106	TA3	6H, R	140
030071032107	TA3	7H, R	158
030071032108	TA3	8H, R	176
030071032109	TA3	9H, R	194
030071032110	TA3	10H, R	212
030071032111	TA3	11H, R	230
030071032112	TA3	12H, R	248
030071032113	TA3	13H, R	266
030071032114	TA3	14H, R	284

Using 5.0mm locking screws, 4.5mm cortical screws.

Distal Lateral Femur Locking Plate IV



P/N	Material	Spec.	Length
030071003005	TA3	5H, L	127
030071003007	TA3	7H, L	159
030071003009	TA3	9H, L	191
030071003011	TA3	11H, L	223
030071003013	TA3	13H, L	255
030071003015	TA3	15H, L	287
030071003017	TA3	17H, L	319
030071003105	TA3	5H, R	127
030071003107	TA3	7H, R	159
030071003109	TA3	9H, R	191
030071003111	TA3	11H, R	223
030071003113	TA3	13H, R	255
030071003115	TA3	15H, R	287
030071003117	TA3	17H, R	319

Using 5.0mm locking screws, 4.5mm cortical screws.

Tibia LC-LCP



P/N	Material	Spec.	Length
030071004005	TA3	5H	103
030071004006	TA3	6H	120.5
030071004007	TA3	7H	138
030071004008	TA3	8H	155.5
030071004009	TA3	9H	173
030071004010	TA3	10H	190.5
030071004011	TA3	11H	208
030071004012	TA3	12H	225.5
030071004013	TA3	13H	243
030071004015	TA3	15H	278
030071004017	TA3	17H	313

Using 5.0mm locking screws, 4.5mm cortical screws.

Proximal Medial Tibia Locking Plate



P/N	Material	Spec.	Length
030071076105	TA3	5H, L	125
030071076107	TA3	7H, L	161
030071076109	TA3	9H, L	197
030071076111	TA3	11H, L	233
030071076113	TA3	13H, L	269
030071076005	TA3	5H, R	125
030071076007	TA3	7H, R	161
030071076009	TA3	9H, R	197
030071076011	TA3	11H, R	233
030071076013	TA3	13H, R	269

Using 5.0mm locking screws, 4.5mm cortical screws.

4.5 Proximal Medial Tibia Locking Plate II



P/N	Material	Spec.	Length
030071008004	TA3	4H, L	81
030071008005	TA3	5H, L	97
030071008006	TA3	6H, L	113
030071008007	TA3	7H, L	129
030071008008	TA3	8H, L	145
030071008104	TA3	4H, R	81
030071008105	TA3	5H, R	97
030071008106	TA3	6H, R	113
030071008107	TA3	7H, R	129
030071008108	TA3	8H, R	145

Using 5.0mm locking screws, 4.5mm cortical screws.

Proximal Lateral Tibia Locking Plate IV



P/N	Material	Spec.	Length
030071005005	TA3	5H, L	137
030071005007	TA3	7H, L	169
030071005009	TA3	9H, L	201
030071005011	TA3	11H, L	233
030071005105	TA3	5H, R	137
030071005107	TA3	7H, R	169
030071005109	TA3	9H, R	201
030071005111	TA3	11H, R	233

Using 5.0mm locking screws, 4.5mm cortical screws.

Proximal Lateral Tibia Locking Plate VI



P/N	Material	Spec.	Length
030071024004	TA3	4H, L	83
030071024005	TA3	5H, L	99
030071024006	TA3	6H, L	115
030071024007	TA3	7H, L	131
030071024008	TA3	8H, L	147
030071024104	TA3	4H, R	83
030071024105	TA3	5H, R	99
030071024106	TA3	6H, R	115
030071024107	TA3	7H, R	131
030071024108	TA3	8H, R	147

Using 3.5mm locking screws, 3.5mm cortical screws.

Proximal Lateral Tibia Locking Plate VII



P/N	Material	Spec.	Length	P/N	Material	Spec.	Length
030071031002	TA3	2H, L	90	030071031002	TA3	2H, R	90
030071031003	TA3	3H, L	108	030071031003	TA3	3H, R	108
030071031104	TA3	4H, L	126	030071031104	TA3	4H, R	126
030071031105	TA3	5H, L	144	030071031105	TA3	5H, R	144
030071031106	TA3	6H, L	162	030071031106	TA3	6H, R	162
030071031107	TA3	7H, L	180	030071031107	TA3	7H, R	180
030071031108	TA3	8H, L	198	030071031108	TA3	8H, R	198
030071031109	TA3	9H, L	216	030071031109	TA3	9H, R	216
030071031110	TA3	10H, L	234	030071031110	TA3	10H, R	234
030071031111	TA3	11H, L	252	030071031111	TA3	11H, R	252
030071031112	TA3	12H, L	270	030071031112	TA3	12H, R	270
030071031113	TA3	13H, L	288	030071031113	TA3	13H, R	288
030071031114	TA3	14H, L	306	030071031114	TA3	14H, R	306

Using 5.0mm locking screws, 4.5mm cortical screws.

3.5 Distal Medial Tibia Locking Plate II



P/N	Material	Spec.	Length
030071009004	TA3	4H, L	109
030071009006	TA3	6H, L	133
030071009008	TA3	8H, L	157
030071009010	TA3	10H, L	181
030071009012	TA3	12H, L	205
030071009014	TA3	14H, L	229
030071009104	TA3	4H, R	109
030071009106	TA3	6H, R	133
030071009108	TA3	8H, R	157
030071009110	TA3	10H, R	181
030071009112	TA3	12H, R	205
030071009114	TA3	14H, R	229

Using 3.5mm locking screws, 3.5mm cortical screws.

Distal Medial Tibia Locking Plate II



P/N	Material	Spec.	Length
030071007005	TA3	5H, L	108
030071007007	TA3	7H, L	140
030071007009	TA3	9H, L	172
030071007011	TA3	11H, L	204
030071007013	TA3	13H, L	236
030071007105	TA3	5H, R	108
030071007107	TA3	7H, R	140
030071007109	TA3	9H, R	172
030071007111	TA3	11H, R	204
030071007113	TA3	13H, R	236

Using 5.0mm locking screws, 4.5mm cortical screws.

3.5 Distal Lateral Tibia Locking Plate II



P/N	Material	Spec.	Length
030071010004	TA3	4H, L	58.5
030071010006	TA3	6H, L	82.3
030071010008	TA3	8H, L	106.5
030071010010	TA3	10H, L	130.5
030071010012	TA3	12H, L	154.5
030071010104	TA3	4H, R	58.5
030071010106	TA3	6H, R	82.3
030071010108	TA3	8H, R	106.5
030071010110	TA3	10H, R	130.5
030071010112	TA3	12H, R	154.5

Using 3.5mm locking screws, 3.5mm cortical screws.

Distal Lateral Tibia Locking Plate II



P/N	Material	Spec.	Length
030071006005	TA3	5H, L	108
030071006007	TA3	7H, L	140
030071006009	TA3	9H, L	172
030071006011	TA3	11H, L	204
030071006013	TA3	13H, L	236
030071006105	TA3	5H, R	108
030071006107	TA3	7H, R	140
030071006109	TA3	9H, R	172
030071006111	TA3	11H, R	204
030071006113	TA3	13H, R	236

Using 5.0mm locking screws, 4.5mm cortical screws.

Distal Lateral Fibular Locking Plate VI



P/N	Material	Spec.	Length	P/N	Material	Spec.	Length
030071025003	TA3	3H, L	73	030071026103	TA3	3H, R	73
030071025004	TA3	4H, L	86	030071026104	TA3	4H, R	86
030071025005	TA3	5H, L	99	030071026105	TA3	5H, R	99
030071025006	TA3	6H, L	112	030071026106	TA3	6H, R	112
030071025007	TA3	7H, L	125	030071026107	TA3	7H, R	125
030071025008	TA3	8H, L	138	030071026108	TA3	8H, R	138
030071025009	TA3	9H, L	151	030071026109	TA3	9H, R	151
030071025010	TA3	10H, L	164	030071026110	TA3	10H, R	164
030071025011	TA3	11H, L	177	030071026111	TA3	11H, R	177
030071025012	TA3	12H, L	190	030071026112	TA3	12H, R	190

Using 3.5mm locking screws, 3.5mm cortical screws.

Calcaneal Locking Plate VIII



P/N	Material	Spec.	Length
030071080051	TA3	L	51
030071080060	TA3	L	60
030071080068	TA3	L	68
030071080151	TA3	R	51
030071080160	TA3	R	60
030071080168	TA3	R	68

Using 3.5mm locking screws, 3.5mm cortical screws.

Straight Reconstruction Locking Plate II



P/N	Material	Spec.	Length
030071011004	TA3	4H	48
030071011005	TA3	5H	60
030071011006	TA3	6H	72
030071011007	TA3	7H	84
030071011008	TA3	8H	96
030071011009	TA3	9H	108
030071011010	TA3	10H	120
030071011011	TA3	11H	132
030071011012	TA3	12H	144
030071011014	TA3	14H	168
030071011016	TA3	16H	192
030071011018	TA3	18H	216
030071011020	TA3	20H	240
030071011022	TA3	22H	264

Using 3.5mm locking screws, 3.5mm cortical screws.

3.5 Straight Reconstruction Locking Plate II



P/N	Material	Spec.	Length
030071022006	TA3	6H	86
030071022007	TA3	7H	99
030071022008	TA3	8H	112
030071022009	TA3	9H	125
030071022010	TA3	10H	138
030071022011	TA3	11H	151
030071022012	TA3	12H	164
030071022014	TA3	14H	190
030071022016	TA3	16H	216
030071022018	TA3	18H	242

Using 3.5mm locking screws, 3.5mm cortical screws.

4.5 Straight Reconstruction Locking Plate II



P/N	Material	Spec.	Length
030071023003	TA3	3H	119
030071023004	TA3	4H	136
030071023005	TA3	5H	153
030071023006	TA3	6H	170
030071023007	TA3	7H	187
030071023008	TA3	8H	204
030071023009	TA3	9H	221
030071023011	TA3	11H	255
030071023013	TA3	13H	289
030071023015	TA3	15H	323

Using 3.5mm locking screws, 3.5mm cortical screws.

Oblique Radius T-Locking Plates II



P/N	Material	Spec.	Length
030071012003	TA3	3H, L	50.2
030071012004	TA3	4H, L	61.6
030071012005	TA3	5H, L	73
030071012006	TA3	6H, L	84.4
030071012007	TA3	7H, L	95.8
030071012008	TA3	8H, L	107.2
030071012103	TA3	3H, R	50.2
030071012104	TA3	4H, R	61.6
030071012105	TA3	5H, R	73
030071012106	TA3	6H, R	84.4
030071012107	TA3	7H, R	95.8
030071012108	TA3	8H, R	107.2

Using 3.5mm locking screws, 3.5mm cortical screws.

Small T-Locking Plate (head holes 4)



P/N	Material	Spec.	Length
030071013003	TA3	3H	46.1
030071013004	TA3	4H	57.5
030071013005	TA3	5H	68.9
030071013006	TA3	6H	80.3
030071013007	TA3	7H	91.7
030071013008	TA3	8H	103.1

Using 3.5mm locking screws, 3.5mm cortical screws.

Small T-Locking Plate (head holes 3)



P/N	Material	Spec.	Length
030071014003	TA3	3H	50
030071014004	TA3	4H	59.5
030071014005	TA3	5H	71
030071014006	TA3	6H	82.5
030071014007	TA3	7H	94
030071014008	TA3	8H	105.5

Using 3.5mm locking screws, 3.5mm cortical screws.

Distal Radius Locking Plate I , 9 Holes Head



P/N	Material	Spec.	Length
030071033003	TA3	3H, L	50
030071033004	TA3	4H, L	59
030071033005	TA3	5H, L	68
030071033006	TA3	6H, L	77
030071033007	TA3	7H, L	86
030071033008	TA3	8H, L	95
030071033103	TA3	3H, R	50
030071033104	TA3	4H, R	59
030071033105	TA3	5H, R	68
030071033106	TA3	6H, R	77
030071033107	TA3	7H, R	86
030071033108	TA3	8H, R	95

Using 2.7mm locking screws, 2.7mm cortical screws.

Variable Angle Two-Column Volar Distal Radius Locking Plate, Narrow



P/N	Material	Spec.	Length
030071071002	TA3	2H, L	42
030071071003	TA3	3H, L	51
030071071004	TA3	4H, L	63
030071071005	TA3	5H, L	72
030071071102	TA3	2H, R	42
030071071103	TA3	3H, R	51
030071071104	TA3	4H, R	63
030071071105	TA3	5H, R	72

Using 2.7mm VA locking screws, 2.7mm locking screws, 2.7mm cortical screws.

Variable Angle Two-Column Volar Distal Radius Locking Plate, Head Holes 6



P/N	Material	Spec.	Length
030071072002	TA3	2H, L	45
030071072003	TA3	3H, L	54
030071072004	TA3	4H, L	66
030071072005	TA3	5H, L	75
030071072102	TA3	2H, R	45
030071072103	TA3	3H, R	54
030071072104	TA3	4H, R	66
030071072105	TA3	5H, R	75

Using 2.7mm VA locking screws, 2.7mm locking screws, 2.7mm cortical screws.

Variable Angle Two-Column Volar Distal Radius Locking Plate, Head Holes 7



P/N	Material	Spec.	Length
030071073002	TA3	2H, L	47
030071073003	TA3	3H, L	55
030071073004	TA3	4H, L	66
030071073005	TA3	5H, L	75
030071073102	TA3	2H, R	47
030071073103	TA3	3H, R	55
030071073104	TA3	4H, R	66
030071073105	TA3	5H, R	75

Using 2.7mm VA locking screws, 2.7mm locking screws, 2.7mm cortical screws.

Ulna Radius LC-DCP



P/N	Material	Spec.	Length
030071016004	TA3	4H	67
030071016005	TA3	5H	80
030071016006	TA3	6H	93
030071016007	TA3	7H	106
030071016008	TA3	8H	119
030071016009	TA3	9H	132
030071016010	TA3	10H	145
030071016011	TA3	11H	158
030071016012	TA3	12H	171

Using 3.5mm locking screws, 3.5mm cortical screws.

Humerus LC-DCP



P/N	Material	Spec.	Length
030071015004	TA3	4H	72.5
030071015005	TA3	5H	87.2
030071015006	TA3	6H	101.9
030071015007	TA3	7H	116.6
030071015008	TA3	8H	131.3
030071015009	TA3	9H	146
030071015010	TA3	10H	160.7
030071015011	TA3	11H	175.4
030071015012	TA3	12H	190.1

Using 3.5mm locking screws, 3.5mm cortical screws.

Proximal Dorsal Ulna Locking Plate II



P/N	Material	Spec.	Length
030071020004	TA3	4H, L	86
030071020006	TA3	6H, L	112
030071020008	TA3	8H, L	138
030071020010	TA3	10H, L	164
030071020012	TA3	12H, L	190
030071020014	TA3	14H, L	216
030071020104	TA3	4H, R	86
030071020106	TA3	6H, R	112
030071020108	TA3	8H, R	138
030071020110	TA3	10H, R	164
030071020112	TA3	12H, R	190
030071020114	TA3	14H, R	216

Using 3.5mm locking screws, 3.5mm cortical screws.

Proximal Lateral Humerus Locking Plate IV



P/N	Material	Spec.	Length
030071017003	TA3	3H, L	80
030071017004	TA3	4H, L	92
030071017005	TA3	5H, L	104
030071017006	TA3	6H, L	116
030071017007	TA3	7H, L	128
030071017008	TA3	8H, L	140
030071017103	TA3	3H, R	80
030071017104	TA3	4H, R	92
030071017105	TA3	5H, R	104
030071017106	TA3	6H, R	116
030071017107	TA3	7H, R	128
030071017108	TA3	8H, R	140

Using 3.5mm locking screws, 3.5mm cortical screws.

3.5 Proximal Lateral Humeral Locking Plate II



P/N	Material	Spec.	Length
030071019002	TA3	2H, Standard	90
030071019003	TA3	3H, Standard	108
030071019004	TA3	4H, Standard	126
030071019005	TA3	5H, Standard	144
030071019006	TA3	6H, Long	162
030071019007	TA3	7H, Long	180
030071019008	TA3	8H, Long	198
030071019009	TA3	9H, Long	216
030071019010	TA3	10H, Long	234
030071019011	TA3	11H, Long	252
030071019012	TA3	12H, Long	270

Using 3.5mm locking screws, 3.5mm cortical screws.

Proximal Humeral Locking Plate



P/N	Material	Spec.	Length	P/N	Material	Spec.	Length
030071077102	TA3	2H, L	91	030071077002	TA3	2H, R	91
030071077103	TA3	3H, L	107	030071077003	TA3	3H, R	107
030071077104	TA3	4H, L	123	030071077004	TA3	4H, R	123
030071077105	TA3	5H, L	139	030071077005	TA3	5H, R	139
030071077106	TA3	6H, L	155	030071077006	TA3	6H, R	155
030071077107	TA3	7H, L	171	030071077007	TA3	7H, R	171
030071077108	TA3	8H, L	187	030071077008	TA3	8H, R	187
030071077109	TA3	9H, L	203	030071077009	TA3	9H, R	203
030071077110	TA3	10H, L	219	030071077010	TA3	10H, R	219
030071077111	TA3	11H, L	235	030071077011	TA3	11H, R	235
030071077112	TA3	12H, L	251	030071077012	TA3	12H, R	251
030071077113	TA3	13H, L	267	030071077013	TA3	13H, R	267
030071077114	TA3	14H, L	283	030071077014	TA3	14H, R	283

Using 3.5mm locking screws, 3.5mm cortical screws.

Distal Medial Humeral Locking Plate II



P/N	Material	Spec.	Length
030071027003	TA3	3H, L	58
030071027005	TA3	5H, L	84
030071027007	TA3	7H, L	110
030071027009	TA3	9H, L	136
030071027011	TA3	11H, L	162
030071027013	TA3	13H, L	188
030071027015	TA3	15H, L	214
030071027103	TA3	3H, R	58
030071027105	TA3	5H, R	84
030071027107	TA3	7H, R	110
030071027109	TA3	9H, R	136
030071027111	TA3	11H, R	162
030071027113	TA3	13H, R	188
030071027115	TA3	15H, R	214

Using 2.7mm/3.5mm locking screws, 3.5mm cortical screws.

Distal Posterior Lateral Humeral Locking Plate II



P/N	Material	Spec.	Length
030071028004	TA3	4H, L	70
030071028006	TA3	6H, L	94
030071028008	TA3	8H, L	120
030071028010	TA3	10H, L	146
030071028012	TA3	12H, L	172
030071028104	TA3	4H, R	70
030071028106	TA3	6H, R	94
030071028108	TA3	8H, R	120
030071028110	TA3	10H, R	146
030071028112	TA3	12H, R	172

Using 2.7mm/3.5mm locking screws, 3.5mm cortical screws.

Distal Humeral Y-Locking Plate II



P/N	Material	Spec.	Length
030071078103	TA3	3H, L	88.5
030071078104	TA3	4H, L	104.5
030071078105	TA3	5H, L	120.5
030071078003	TA3	3H, R	88.5
030071078004	TA3	4H, R	104.5
030071078005	TA3	5H, R	120.5

Using 3.5mm locking screws, 3.5mm cortical screws.

Clavicle Diaphysis Locking Plate II



P/N	Material	Spec.	Length
030071018006	TA3	6H, L	74.1
030071018008	TA3	8H, L	98.1
030071018010	TA3	10H, L	121.4
030071018012	TA3	12H, L	143.8
030071018106	TA3	6H, R	74.1
030071018108	TA3	8H, R	98.1
030071018110	TA3	10H, R	121.4
030071018112	TA3	12H, R	143.8

Using 3.5mm locking screws, 3.5mm cortical screws.

Clavicle Hook Locking Plate IV



P/N	Material	Spec.	Hook Length
030071081005	TA3	5H, L	14
030071081006	TA3	6H, L	14
030071081007	TA3	7H, L	14
030071082005	TA3	5H, L	17
030071082006	TA3	6H, L	17
030071082007	TA3	7H, L	17
030071081105	TA3	5H, R	14
030071081106	TA3	6H, R	14
030071081107	TA3	7H, R	14
030071082105	TA3	5H, R	17
030071082106	TA3	6H, R	17
030071082107	TA3	7H, R	17

Using 3.5mm locking screws, 3.5mm cortical screws.

Clavicle Hook Locking Plate V



P/N	Material	Spec.	Length
030071021004	TA3	4H, L	73.5
030071021104	TA3	4H, R	73.5

Using 3.5mm locking screws, 3.5mm cortical screws.

Clavicle Locking plate II



P/N	Material	Spec.	Length
030071029003	TA3	3H, L	76
030071029004	TA3	4H, L	88
030071029005	TA3	5H, L	100
030071029006	TA3	6H, L	112
030071029007	TA3	7H, L	124
030071029008	TA3	8H, L	135
030071029103	TA3	3H, R	76
030071029104	TA3	4H, R	88
030071029105	TA3	5H, R	100
030071029106	TA3	6H, R	112
030071029107	TA3	7H, R	124
030071029108	TA3	8H, R	135

Using 3.5mm locking screws, 3.5mm cortical screws.

S-Clavicle Locking Plate



P/N	Material	Spec.	Length
030071030006	TA3	6H, L	74
030071030007	TA3	7H, L	86
030071030008	TA3	8H, L	98
030071030010	TA3	10H, L	122
030071030106	TA3	6H, R	74
030071030107	TA3	7H, R	86
030071030108	TA3	8H, R	98
030071030110	TA3	10H, R	122

Using 3.5mm locking screws, 3.5mm cortical screws.

2.7mm Variable Angle Locking Screw



P/N	Material	Spec.
030012227008	TC4	8mm
030012227010	TC4	10mm
030012227012	TC4	12mm
030012227014	TC4	14mm
030012227016	TC4	16mm
030012227018	TC4	18mm
030012227020	TC4	20mm
030012227022	TC4	22mm
030012227024	TC4	24mm
030012227026	TC4	26mm
030012227028	TC4	28mm
030012227030	TC4	30mm

2.7mm Locking Screw



P/N	Material	Spec.	P/N	Material	Spec.
030012327006	TC4	6mm	030012027032	TC4	32mm
030012327008	TC4	8mm	030012027034	TC4	34mm
030012027010	TC4	10mm	030012027036	TC4	36mm
030012027012	TC4	12mm	030012027038	TC4	38mm
030012027014	TC4	14mm	030012027040	TC4	40mm
030012027016	TC4	16mm	030012027042	TC4	42mm
030012027018	TC4	18mm	030012027044	TC4	44mm
030012027020	TC4	20mm	030012027046	TC4	46mm
030012027022	TC4	22mm	030012027048	TC4	48mm
030012027024	TC4	24mm	030012027050	TC4	50mm
030012027026	TC4	26mm	030012027055	TC4	55mm
030012027028	TC4	28mm	030012027060	TC4	60mm
030012027030	TC4	30mm			

3.5mm Locking Screw



P/N	Material	Spec.	P/N	Material	Spec.
030012035010	TC4	10mm	030012035038	TC4	38mm
030012035012	TC4	12mm	030012035040	TC4	40mm
030012035014	TC4	14mm	030012035042	TC4	42mm
030012035016	TC4	16mm	030012035044	TC4	44mm
030012035018	TC4	18mm	030012035046	TC4	46mm
030012035020	TC4	20mm	030012035048	TC4	48mm
030012035022	TC4	22mm	030012035050	TC4	50mm
030012035024	TC4	24mm	030012035055	TC4	55mm
030012035026	TC4	26mm	030012035060	TC4	60mm
030012035028	TC4	28mm	030012035065	TC4	65mm
030012035030	TC4	30mm	030012035070	TC4	70mm
030012035032	TC4	32mm	030012035075	TC4	75mm
030012035034	TC4	34mm	030012035080	TC4	80mm
030012035036	TC4	36mm	030012035085	TC4	85mm

5.0mm Locking Screw



P/N	Material	Spec.	P/N	Material	Spec.
030012050018	TC4	18mm	030012050044	TC4	44mm
030012050020	TC4	20mm	030012050046	TC4	46mm
030012050022	TC4	22mm	030012050048	TC4	48mm
030012050024	TC4	24mm	030012050050	TC4	50mm
030012050026	TC4	26mm	030012050055	TC4	55mm
030012050028	TC4	28mm	030012050060	TC4	60mm
030012050030	TC4	30mm	030012050065	TC4	65mm
030012050032	TC4	32mm	030012050070	TC4	70mm
030012050034	TC4	34mm	030012050075	TC4	75mm
030012050036	TC4	36mm	030012050080	TC4	80mm
030012050038	TC4	38mm	030012050085	TC4	85mm
030012050040	TC4	40mm	030012050090	TC4	90mm
030012050042	TC4	42mm			

6.5mm Locking Screw



P/N	Material	Spec.	P/N	Material	Spec.
030012065035	TC4	35mm	030012065080	TC4	80mm
030012065040	TC4	40mm	030012065085	TC4	85mm
030012065045	TC4	45mm	030012065090	TC4	90mm
030012065050	TC4	50mm	030012065095	TC4	95mm
030012065055	TC4	55mm	030012065100	TC4	100mm
030012065060	TC4	60mm	030012065105	TC4	105mm
030012065065	TC4	65mm	030012065110	TC4	110mm
030012065070	TC4	70mm	030012065115	TC4	115mm
030012065075	TC4	75mm	030012065120	TC4	120mm

2.7mm Cortical Screws, Full Threaded



P/N	Material	Spec.
030012427006	TC4	6mm
030012427008	TC4	8mm
030012427010	TC4	10mm
030012427012	TC4	12mm
030012427014	TC4	14mm
030012427016	TC4	16mm
030012427018	TC4	18mm
030012427020	TC4	20mm
030012427022	TC4	22mm
030012427024	TC4	24mm
030012427026	TC4	26mm
030012427028	TC4	28mm
030012427030	TC4	30mm

3.5mm Cortical Screws, Full Threaded



P/N	Material	Spec.	P/N	Material	Spec.
030012135010	TC4	10mm	030012135032	TC4	32mm
030012135012	TC4	12mm	030012135034	TC4	34mm
030012135014	TC4	14mm	030012135036	TC4	36mm
030012135016	TC4	16mm	030012135038	TC4	38mm
030012135018	TC4	18mm	030012135040	TC4	40mm
030012135020	TC4	20mm	030012135042	TC4	42mm
030012135022	TC4	22mm	030012135044	TC4	44mm
030012135024	TC4	24mm	030012135046	TC4	46mm
030012135026	TC4	26mm	030012135048	TC4	48mm
030012135028	TC4	28mm	030012135050	TC4	50mm
030012135030	TC4	30mm			

4.0mm Cancellous Screws, Partial Threaded



P/N	Material	Spec.	P/N	Material	Spec.
030012140012	TC4	12mm	030012140034	TC4	34mm
030012140014	TC4	14mm	030012140036	TC4	36mm
030012140016	TC4	16mm	030012140038	TC4	38mm
030012140018	TC4	18mm	030012140040	TC4	40mm
030012140020	TC4	20mm	030012140042	TC4	42mm
030012140022	TC4	22mm	030012140044	TC4	44mm
030012140024	TC4	24mm	030012140046	TC4	46mm
030012140026	TC4	26mm	030012140048	TC4	48mm
030012140028	TC4	28mm	030012140050	TC4	50mm
030012140030	TC4	30mm	030012140052	TC4	52mm
030012140032	TC4	32mm	030012140054	TC4	54mm

4.0mm Cancellous Screws, Full Threaded



P/N	Material	Spec.	P/N	Material	Spec.
030012240014	TC4	14mm	030012240036	TC4	36mm
030012240016	TC4	16mm	030012240038	TC4	38mm
030012240018	TC4	18mm	030012240040	TC4	40mm
030012240020	TC4	20mm	030012240042	TC4	42mm
030012240022	TC4	22mm	030012240044	TC4	44mm
030012240024	TC4	24mm	030012240046	TC4	46mm
030012240026	TC4	26mm	030012240048	TC4	48mm
030012240028	TC4	28mm	030012240050	TC4	50mm
030012240030	TC4	30mm	030012240052	TC4	52mm
030012240032	TC4	32mm	030012240054	TC4	54mm
030012240034	TC4	34mm			

4.5mm Cortical Screw



P/N	Material	Spec.	P/N	Material	Spec.
030012045016	TC4	16mm	030012045038	TC4	38mm
030012045018	TC4	18mm	030012045040	TC4	40mm
030012045020	TC4	20mm	030012045042	TC4	42mm
030012045022	TC4	22mm	030012045044	TC4	44mm
030012045024	TC4	24mm	030012045046	TC4	46mm
030012045026	TC4	26mm	030012045048	TC4	48mm
030012045028	TC4	28mm	030012045050	TC4	50mm
030012045030	TC4	30mm	030012045052	TC4	52mm
030012045032	TC4	32mm	030012045054	TC4	54mm
030012045034	TC4	34mm	030012045056	TC4	56mm
030012045036	TC4	36mm	030012045058	TC4	58mm

6.5mm Cancellous screw, full threaded



P/N	Material	Spec.	P/N	Material	Spec.
030012165030	TC4	30mm	030012165080	TC4	80mm
030012165035	TC4	35mm	030012165085	TC4	85mm
030012165040	TC4	40mm	030012165090	TC4	90mm
030012165045	TC4	45mm	030012165095	TC4	95mm
030012165050	TC4	50mm	030012165100	TC4	100mm
030012165055	TC4	55mm	030012165105	TC4	105mm
030012165060	TC4	60mm	030012165110	TC4	110mm
030012165065	TC4	65mm	030012165115	TC4	115mm
030012165070	TC4	70mm	030012165120	TC4	120mm
030012165075	TC4	75mm			

6.5mm Cancellous screw, partial threaded



P/N	Material	Spec.	P/N	Material	Spec.
030012265030	TC4	30mm	030012265080	TC4	80mm
030012265035	TC4	35mm	030012265085	TC4	85mm
030012265040	TC4	40mm	030012265090	TC4	90mm
030012265045	TC4	45mm	030012265095	TC4	95mm
030012265055	TC4	55mm	030012265100	TC4	100mm
030012265060	TC4	60mm	030012265105	TC4	105mm
030012265065	TC4	65mm	030012265110	TC4	110mm
030012265070	TC4	70mm	030012265115	TC4	115mm
030012265075	TC4	75mm	030012265120	TC4	120mm

Mini-Plate System



Indications

The Mini-Plate System is indicated for treatment of small bone fracture of hand and foot (except calcaneus and talus). It may also be used in revision surgery of non-union and mal-union.

Features & Benefits

- Available 1.5mm, 2.0mm, 2.5mm and 2.7mm implants
- StarDrive recess mates with self-retaining screwdriver improving torque transmission
- Low profile plates reduce soft tissue irritation

Phalangeal Mini-Plate, Straight



P/N	Material	Spec.	Length
030071034003	TA3	3H	19
030071034004	TA3	4H	26
030071034005	TA3	5H	33
030071034006	TA3	6H	40
030071034007	TA3	7H	47

Using 1.5mm Cortical Screw

Metacarpal Mini-Plate, T-type



P/N	Material	Spec.	Length
030071035004	TA3	4H	17
030071035005	TA3	5H	29.5
030071035006	TA3	6H	37
030071035007	TA3	7H	44.5
030071035008	TA3	8H	52

Using 1.5mm Cortical Screw

Phalangeal Mini-Plate, L-type



P/N	Material	Spec.	Length
030071036004	TA3	4H, L	17
030071036104	TA3	4H, R	17

Using 1.5mm Cortical Screw

Metacarpal Mini-Plate, L-type



P/N	Material	Spec.	Length
030071036005	TA3	5H, L	29.5
030071036105	TA3	5H, R	29.5

Using 1.5mm Cortical Screw

1.5 Straight Plate



P/N	Material	Spec.	Length
030071037003	TA3	3H	13.8
030071037004	TA3	4H	18.8
030071037005	TA3	5H	23.8
030071037006	TA3	6H	28.8
030071037007	TA3	7H	33.8
030071037008	TA3	8H	38.8
030071037009	TA3	9H	43.8
030071037010	TA3	10H	48.8

Using 1.5mm Cortical Screw

1.5 T Condylar Plate(3 holes head)



P/N	Material	Spec.	Length
030071038003	TA3	3H	18.8
030071038004	TA3	4H	23.8
030071038005	TA3	5H	28.8
030071038006	TA3	6H	33.8
030071038007	TA3	7H	38.8

Using 1.5mm Cortical Screw

1.5 T Condylar Plate (4 holes head)



P/N	Material	Spec.	Length
030071039003	TA3	3H	19
030071039004	TA3	4H	24
030071039005	TA3	5H	29
030071039006	TA3	6H	34
030071039007	TA3	7H	39

Using 1.5mm Cortical Screw

1.5 H Condylar Plate (4 holes)



P/N	Material	Spec.	Length
030071040004	TA3	4H	9

Using 1.5mm Cortical Screw

1.5 H Condylar Plate (8 holes)



P/N	Material	Spec.	Length
030071040008	TA3	8H, L	22
030071040108	TA3	8H, R	22

Using 1.5mm Cortical Screw

1.5 Condylar Mini Plate



P/N	Material	Spec.	Length
030071041003	TA3	3H, L	23
030071041004	TA3	4H, L	28
030071041005	TA3	5H, L	33
030071041103	TA3	3H, R	23
030071041104	TA3	4H, R	28
030071041105	TA3	5H, R	33

Using 1.5mm Cortical Screw

1.5 Y Condylar Plate



P/N	Material	Spec.	Length
030071042003	TA3	3H	20.9
030071042004	TA3	4H	25.9
030071042005	TA3	5H	30.9
030071042006	TA3	6H	35.9
030071042007	TA3	7H	40.9

Using 1.5mm Cortical Screw

1.5 T Condylar Plate



P/N	Material	Spec.	Length
030071043003	TA3	3H	18.8
030071043004	TA3	4H	23.5
030071043005	TA3	5H	28.8
030071043006	TA3	6H	33.8
030071043007	TA3	7H	38.8

Using 1.5mm Cortical Screw

2.0 H Condylar Plate (4 holes)



P/N	Material	Spec.	Length
030071044004	TA3	4H	12

Using 2.0mm Cortical Screw

2.0 Condylar Mini Plate



P/N	Material	Spec.	Length
030071045003	TA3	3H, L	24
030071045004	TA3	4H, L	29
030071045005	TA3	5H, L	34
030071045103	TA3	3H, R	24
030071045104	TA3	4H, R	29
030071045105	TA3	5H, R	34

Using 2.0mm Cortical Screw

2.0T Condylar Plate



P/N	Material	Spec.	Length
030071046003	TA3	3H	20
030071046004	TA3	4H	25
030071046005	TA3	5H	30
030071046006	TA3	6H	35
030071046007	TA3	7H	40
030071046008	TA3	8H	45
030071046009	TA3	9H	50

Using 2.0mm Cortical Screw

2.0 Straight Plate



P/N	Material	Spec.	Length
030071047003	TA3	3H	15
030071047004	TA3	4H	20
030071047005	TA3	5H	25
030071047006	TA3	6H	30
030071047007	TA3	7H	35
030071047008	TA3	8H	40
030071047009	TA3	9H	45
030071047010	TA3	10H	50

Using 2.0mm Cortical Screw

2.0T Condylar Plate (2 holes head)



P/N	Material	Spec.	Length
030071048003	TA3	3H	20
030071048004	TA3	4H	25
030071048005	TA3	5H	30
030071048006	TA3	6H	35
030071048007	TA3	7H	40
030071048008	TA3	8H	45

Using 2.0mm Cortical Screw

2.0T Condylar Plate (3 holes head)



P/N	Material	Spec.	Length
030071049003	TA3	3H	20
030071049004	TA3	4H	25
030071049005	TA3	5H	30
030071049006	TA3	6H	35
030071049007	TA3	7H	40
030071049008	TA3	8H	45

Using 2.0mm Cortical Screw

2.0 T Condylar Plate (4 holes head)


P/N	Material	Spec.	Length
030071050003	TA3	3H	20
030071050004	TA3	4H	25
030071050005	TA3	5H	30
030071050006	TA3	6H	35
030071050007	TA3	7H	40
030071050008	TA3	8H	45

Using 2.0mm Cortical Screw

2.0 LC-DCP Plate


P/N	Material	Spec.	Length
030071051003	TA3	3H	22.4
030071051004	TA3	4H	29.6
030071051005	TA3	5H	36.8
030071051006	TA3	6H	44
030071051007	TA3	7H	51.2
030071051008	TA3	8H	58.4

Using 2.0mm Cortical Screw

2.5 Straight Plate


P/N	Material	Spec.	Length
030071052003	TA3	3H	18
030071052004	TA3	4H	24
030071052005	TA3	5H	30
030071052006	TA3	6H	36
030071052007	TA3	7H	42
030071052008	TA3	8H	48

Using 2.5mm Cortical Screw

2.5 T Condylar Plate (2 holes head)


P/N	Material	Spec.	Length
030071053003	TA3	3H	24
030071053004	TA3	4H	30
030071053005	TA3	5H	36
030071053006	TA3	6H	42
030071053007	TA3	7H	48

Using 2.5mm Cortical Screw

2.5 T Condylar Plate (3 holes head)


P/N	Material	Spec.	Length
030071054003	TA3	3H	24
030071054004	TA3	4H	30
030071054005	TA3	5H	36
030071054006	TA3	6H	42
030071054007	TA3	7H	48

Using 2.5mm Cortical Screw

2.5 Y Condylar Plate


P/N	Material	Spec.	Length
030071055003	TA3	3H	26
030071055004	TA3	4H	32
030071055005	TA3	5H	38
030071055006	TA3	6H	44
030071055007	TA3	7H	50

Using 2.5mm Cortical Screw

2.5 Condylar Plate


P/N	Material	Spec.	Length
030071056003	TA3	3H, L	24.6
030071056004	TA3	4H, L	32.6
030071056005	TA3	5H, L	40.6
030071056006	TA3	6H, L	48.6
030071056007	TA3	7H, L	56.6
030071056103	TA3	3H, R	24.6
030071056104	TA3	4H, R	32.6
030071056105	TA3	5H, R	40.6
030071056106	TA3	6H, R	48.6
030071056107	TA3	7H, R	56.6

Using 2.5mm Cortical Screw

2.5 LC-DCP Plate


P/N	Material	Spec.	Length
030071057003	TA3	3H	24.6
030071057004	TA3	4H	32.6
030071057005	TA3	5H	40.6
030071057006	TA3	6H	48.6
030071057007	TA3	7H	56.6
030071057008	TA3	8H	64.6

Using 2.5mm Cortical Screw

2.7 One-fourth Tubular Plate


P/N	Material	Spec.	Length
030071058003	TA3	3H	24
030071058004	TA3	4H	32
030071058005	TA3	5H	40
030071058006	TA3	6H	48
030071058007	TA3	7H	56
030071058008	TA3	8H	64

Using 2.7mm Cortical Screw

2.7 Condylar Mini Plate


P/N	Material	Spec.	Length
030071059003	TA3	3H, L	32.4
030071059004	TA3	4H, L	40.4
030071059005	TA3	5H, L	48.4
030071059103	TA3	3H, R	32.4
030071059104	TA3	4H, R	40.4
030071059105	TA3	5H, R	48.4

Using 2.7mm Cortical Screw

1.5 Full-threaded Cortical Screw



P/N	Material	Spec.
030012015006	TC4	6mm
030012015007	TC4	7mm
030012015008	TC4	8mm
030012015009	TC4	9mm
030012015010	TC4	10mm
030012015011	TC4	11mm
030012015012	TC4	12mm

P/N	Material	Spec.
030012015013	TC4	13mm
030012015014	TC4	14mm
030012015015	TC4	15mm
030012015016	TC4	16mm
030012015018	TC4	18mm
030012015020	TC4	20mm
030012015022	TC4	22mm

2.0 Full-threaded Cortical Screw



P/N	Material	Spec.
030012020006	TC4	6mm
030012020008	TC4	8mm
030012020009	TC4	9mm
030012020010	TC4	10mm
030012020011	TC4	11mm
030012020012	TC4	12mm
030012020013	TC4	13mm

P/N	Material	Spec.
030012020014	TC4	14mm
030012020015	TC4	15mm
030012020016	TC4	16mm
030012020018	TC4	18mm
030012020020	TC4	20mm
030012020022	TC4	22mm

2.5 Full-threaded Cortical Screw



P/N	Material	Spec.
030012025008	TC4	8mm
030012025010	TC4	10mm
030012025012	TC4	12mm
030012025014	TC4	14mm
030012025016	TC4	16mm
030012025018	TC4	18mm

P/N	Material	Spec.
030012025020	TC4	20mm
030012025022	TC4	22mm
030012025024	TC4	24mm
030012025026	TC4	26mm
030012025028	TC4	28mm

2.7 Full-threaded Cortical Screw



P/N	Material	Spec.
030012127008	TC4	8mm
030012127010	TC4	10mm
030012127012	TC4	12mm
030012127014	TC4	14mm
030012127016	TC4	16mm
030012127018	TC4	18mm

P/N	Material	Spec.
030012127020	TC4	20mm
030012127022	TC4	22mm
030012127024	TC4	24mm
030012127026	TC4	26mm
030012127028	TC4	28mm
030012127030	TC4	30mm

Mini Locking Plate System



Indications

The Mini Locking Plate System is designed to provide a solution for the treatment of small bone fracture, osteotomies, non-unions, mal-unions, fusion of small bones and small bone fragments, particularly in osteopenic bone.

Features & Benefits

- Anatomically shaped plate design reduces bending plate
- StarDrive recess mates with self-retaining screwdriver improving torque transmission
- Elongated combi holes in the plate shaft enable preliminary plate fixation with independent screws on the bone

2.5 Straight Locking Plates II



P/N	Material	Spec.	Length
030071060003	TA3	3H	21
030071060004	TA3	4H	28
030071060005	TA3	5H	35
030071060006	TA3	6H	42
030071060007	TA3	7H	49
030071060008	TA3	8H	56
030071060009	TA3	9H	63
030071060010	TA3	10H	70
030071060011	TA3	11H	77
030071060012	TA3	12H	84

Using 2.4mm locking Screw

2.5 T-Locking Plates II (2 holes head)



P/N	Material	Spec.	Length
030071061003	TA3	3H	27.5
030071061004	TA3	4H	34.5
030071061005	TA3	5H	41.5
030071061006	TA3	6H	48.5
030071061007	TA3	7H	55.5
030071061008	TA3	8H	62.5

Using 2.4mm locking Screw

2.5 Y-Locking Plates II



P/N	Material	Spec.	Length
030071062003	TA3	3H	27.5
030071062004	TA3	4H	34.5
030071062005	TA3	5H	41.5
030071062006	TA3	6H	48.5
030071062007	TA3	7H	55.5
030071062008	TA3	8H	62.5

Using 2.4mm locking Screw

2.5 Straight Locking Plates, Dorsal



P/N	Material	Spec.	Length
030071063005	TA3	5H	35.8
030071063006	TA3	6H	42.8
030071063007	TA3	7H	49.8

Using 2.4mm locking Screw

2.5 LC-LCP



P/N	Material	Spec.	Length
030071064003	TA3	3H	24.6
030071064004	TA3	4H	32.6
030071064005	TA3	5H	40.6
030071064006	TA3	6H	48.6
030071064007	TA3	7H	56.6
030071064008	TA3	8H	64.6

Using 2.4mm locking Screw

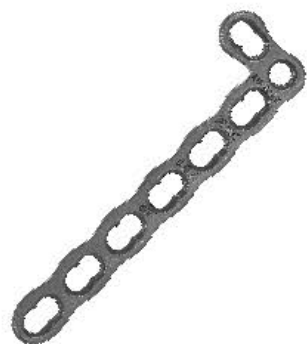
2.5 Oblique T-Locking Plates, Volar



P/N	Material	Spec.	Length
030071065003	TA3	3H, L	28
030071065004	TA3	4H, L	35
030071065005	TA3	5H, L	42
030071065103	TA3	3H, R	28
030071065104	TA3	4H, R	35
030071065105	TA3	5H, R	42

Using 2.4mm locking Screw

2.5 L-Locking Plates IV, 90°



P/N	Material	Spec.	Length
030071066002	TA3	2H, L	22.7
030071066003	TA3	3H, L	29.7
030071066004	TA3	4H, L	36.7
030071066005	TA3	5H, L	43.7
030071066006	TA3	6H, L	50.7
030071066007	TA3	7H, L	57.7
030071066008	TA3	8H, L	64.7
030071066102	TA3	2H, R	22.7
030071066103	TA3	3H, R	29.7
030071066104	TA3	4H, R	36.7
030071066105	TA3	5H, R	43.7
030071066106	TA3	6H, R	50.7
030071066107	TA3	7H, R	57.7
030071066108	TA3	8H, R	64.7

Using 2.4mm locking Screw

2.5 L-Locking Plates, 90°, 3 Holes Head, Dorsal



P/N	Material	Spec.	Length
030071067003	TA3	3H, L	30
030071067004	TA3	4H, L	37
030071067005	TA3	5H, L	44
030071067103	TA3	3H, R	30
030071067104	TA3	4H, R	37
030071067105	TA3	5H, R	44

Using 2.4mm locking Screw

2.5 L-Locking Plates, 90°, 2 Holes Head, Dorsal



P/N	Material	Spec.	Length
030071068003	TA3	3H, L	30
030071068004	TA3	4H, L	37
030071068005	TA3	5H, L	44
030071068103	TA3	3H, R	30
030071068104	TA3	4H, R	37
030071068105	TA3	5H, R	44

Using 2.4mm locking Screw

2.5 L-Locking Plates, 110°, 3 Holes Head, Dorsal



P/N	Material	Spec.	Length
030071069003	TA3	3H, L	30
030071069004	TA3	4H, L	37
030071069005	TA3	5H, L	44
030071069103	TA3	3H, R	30
030071069104	TA3	4H, R	37
030071069105	TA3	5H, R	44

Using 2.4mm locking Screw

2.5 T-Locking Plates, Dorsal



P/N	Material	Spec.	Length
030071070003	TA3	3H	30
030071070004	TA3	4H	37
030071070005	TA3	5H	44

Using 2.4mm locking Screw

2.4mm Locking Screws



P/N	Material	Spec.	P/N	Material	Spec.
030012024006	TC4	6mm	030012024018	TC4	18mm
030012024007	TC4	7mm	030012024020	TC4	20mm
030012024008	TC4	8mm	030012024022	TC4	22mm
030012024009	TC4	9mm	030012024024	TC4	24mm
030012024010	TC4	10mm	030012024026	TC4	26mm
030012024011	TC4	11mm	030012024028	TC4	28mm
030012024012	TC4	12mm	030012024030	TC4	30mm
030012024013	TC4	13mm	030012024032	TC4	32mm
030012024014	TC4	14mm	030012024034	TC4	34mm
030012024016	TC4	16mm			

Cannulated Screw System



Indications

Fracture of metaphysis of limbs and fractures of hand, foot, pelvis and sacrum

Features & Benefits

- Available 2.4mm, 3.0mm, 4.0mm, 4.5mm, 5.5mm, 6.5mm and 7.3mm screws, with conventional head or headless
- StarDrive recess design provides improved torque transmission
- Self-tapping and self-drilling flutes ease screw insertion
- Different threaded pitch design in headless screws compress the fragments during screw insertion

P/N	Material	Spec.
030012030016	TC4	L=16,L1=5
030012030017	TC4	L=17,L1=6
030012030018	TC4	L=18,L1=6
030012030019	TC4	L=19,L1=6
030012030020	TC4	L=20,L1=7
030012030021	TC4	L=21,L1=7
030012030022	TC4	L=22,L1=7
030012030023	TC4	L=23,L1=8
030012030024	TC4	L=24,L1=8
030012030025	TC4	L=25,L1=8

P/N	Material	Spec.
030012030026	TC4	L=26,L1=9
030012030027	TC4	L=27,L1=9
030012030028	TC4	L=28,L1=9
030012030029	TC4	L=29,L1=10
030012030030	TC4	L=30,L1=10
030012030032	TC4	L=32,L1=11
030012030034	TC4	L=34,L1=11
030012030036	TC4	L=36,L1=12
030012030038	TC4	L=38,L1=12
030012030040	TC4	L=40,L1=12

3.0 Cannulated Screw (Threaded Length = 1/3 Screw Length)



3.0 Cannulated Screw (Threaded Length = 1/2 Screw Length)



Washer Ø6.5



P/N	Material	Spec.
030012130016	TC4	L=16,L2=8
030012130017	TC4	L=17,L2=8
030012130018	TC4	L=18,L2=9
030012130019	TC4	L=19,L2=9
030012130020	TC4	L=20,L2=10
030012130021	TC4	L=21,L2=10
030012130022	TC4	L=22,L2=11
030012130023	TC4	L=23,L2=11
030012130024	TC4	L=24,L2=12
030012130025	TC4	L=25,L2=12

P/N	Material	Spec.
030012130026	TC4	L=26,L2=13
030012130027	TC4	L=27,L2=13
030012130028	TC4	L=28,L2=14
030012130029	TC4	L=29,L2=14
030012130030	TC4	L=30,L2=15
030012130032	TC4	L=32,L2=15
030012130034	TC4	L=34,L2=17
030012130036	TC4	L=36,L2=17
030012130038	TC4	L=38,L2=19
030012130040	TC4	L=40,L2=19

P/N	Material	Spec.
030012130000	TC4	Ø6.5

4.0 Cannulated Screw (Threaded Length = 1/3 Screw Length)



4.0 Cannulated Screw (Threaded Length = 1/2 Screw Length)



Washer Ø7



4.5 Cannulated Screw



Washer Ø10



P/N	Material	Spec.
030012340022	TC4	L=22,L1=8
030012340024	TC4	L=24,L1=8
030012340026	TC4	L=26,L1=9
030012340028	TC4	L=28,L1=9
030012340030	TC4	L=30,L1=10
030012340032	TC4	L=32,L1=10
030012340034	TC4	L=34,L1=12
030012340036	TC4	L=36,L1=12

P/N	Material	Spec.
030012340038	TC4	L=38,L1=13
030012340040	TC4	L=40,L1=13
030012340042	TC4	L=42,L1=14
030012340044	TC4	L=44,L1=14
030012340046	TC4	L=46,L1=16
030012340048	TC4	L=48,L1=16
030012340050	TC4	L=50,L1=17
030012340052	TC4	L=52,L1=17

P/N	Material	Spec.
030012440022	TC4	L=22,L2=11
030012440024	TC4	L=24,L2=12
030012440026	TC4	L=26,L2=13
030012440028	TC4	L=28,L2=14
030012440030	TC4	L=30,L2=15
030012440032	TC4	L=32,L2=16
030012440034	TC4	L=34,L2=17
030012440036	TC4	L=36,L2=18

P/N	Material	Spec.
030012440038	TC4	L=38,L2=19
030012440040	TC4	L=40,L2=20
030012440042	TC4	L=42,L2=21
030012440044	TC4	L=44,L2=22
030012440046	TC4	L=46,L2=23
030012440048	TC4	L=48,L2=24
030012440050	TC4	L=50,L2=25
030012440052	TC4	L=52,L2=26

P/N	Material	Spec.
030012340000	TC4	Ø7

P/N	Material	Spec.
030012145022	TC4	L=22
030012145024	TC4	L=24
030012145026	TC4	L=26
030012145028	TC4	L=28
030012145030	TC4	L=30
030012145032	TC4	L=32
030012145034	TC4	L=34
030012145036	TC4	L=36
030012145038	TC4	L=38
030012145040	TC4	L=40

P/N	Material	Spec.
030012145042	TC4	L=42
030012145044	TC4	L=44
030012145046	TC4	L=46
030012145048	TC4	L=48
030012145050	TC4	L=50
030012145052	TC4	L=52
030012145054	TC4	L=54
030012145056	TC4	L=56
030012145058	TC4	L=58
030012145060	TC4	L=60

P/N	Material	Spec.
030012145000	TC4	Ø10

7.3 Cannulated Screw (Threaded Length 16mm)



P/N	Material	Spec.	P/N	Material	Spec.
030012073050	TC4	L=50, 16mm	030012073085	TC4	L=85, 16mm
030012073055	TC4	L=55, 16mm	030012073090	TC4	L=90, 16mm
030012073060	TC4	L=60, 16mm	030012073095	TC4	L=95, 16mm
030012073065	TC4	L=65, 16mm	030012073100	TC4	L=100, 16mm
030012073070	TC4	L=70, 16mm	030012073105	TC4	L=105, 16mm
030012073075	TC4	L=75, 16mm	030012073110	TC4	L=110, 16mm
030012073080	TC4	L=80, 16mm	030012073115	TC4	L=115, 16mm

7.3 Cannulated Screw (Threaded Length 32mm)



P/N	Material	Spec.
030012173060	TC4	L=60, 32mm
030012173065	TC4	L=65, 32mm
030012173070	TC4	L=70, 32mm
030012173075	TC4	L=75, 32mm
030012173080	TC4	L=80, 32mm
030012173085	TC4	L=85, 32mm
030012173090	TC4	L=90, 32mm
030012173095	TC4	L=95, 32mm
030012173100	TC4	L=100, 32mm
030012173105	TC4	L=105, 32mm
030012173110	TC4	L=110, 32mm

Washer Ø13



P/N	Material	Spec.
030012173000	TC4	Ø13

HB2.4 Headless Cannulated Screw (II)



P/N	Material	Spec.	P/N	Material	Spec.
030012124010	TC4	L=10, L1=4	030012124036	TC4	L=36, L1=9
030012124011	TC4	L=11, L1=4	030012124038	TC4	L=38, L1=9
030012124012	TC4	L=12, L1=4	030012124040	TC4	L=40, L1=10
030012124013	TC4	L=13, L1=4	030012224016	TC4	L=16, L2=5
030012124014	TC4	L=14, L1=4	030012224017	TC4	L=17, L2=6
030012124015	TC4	L=15, L1=4	030012224018	TC4	L=18, L2=6
030012124016	TC4	L=16, L1=4	030012224019	TC4	L=19, L2=7
030012124017	TC4	L=17, L1=4	030012224020	TC4	L=20, L2=7
030012124018	TC4	L=18, L1=4	030012224021	TC4	L=21, L2=8
030012124019	TC4	L=19, L1=4	030012224022	TC4	L=22, L2=8
030012124020	TC4	L=20, L1=4	030012224023	TC4	L=23, L2=8
030012124021	TC4	L=21, L1=4	030012224024	TC4	L=24, L2=8
030012124022	TC4	L=22, L1=4	030012224025	TC4	L=25, L2=8
030012124023	TC4	L=23, L1=4	030012224026	TC4	L=26, L2=10
030012124024	TC4	L=24, L1=5	030012224027	TC4	L=27, L2=10
030012124025	TC4	L=25, L1=5	030012224028	TC4	L=28, L2=10
030012124026	TC4	L=26, L1=5	030012224029	TC4	L=29, L2=10
030012124027	TC4	L=27, L1=6	030012224030	TC4	L=30, L2=12
030012124028	TC4	L=28, L1=6	030012224032	TC4	L=32, L2=12
030012124029	TC4	L=29, L1=6	030012224034	TC4	L=34, L2=14
030012124030	TC4	L=30, L1=7	030012224036	TC4	L=36, L2=14
030012124032	TC4	L=32, L1=7	030012224038	TC4	L=38, L2=16
030012124034	TC4	L=34, L1=8	030012224040	TC4	L=40, L2=16

HB3.0 Headless Cannulated Screw (II)



P/N	Material	Spec.	P/N	Material	Spec.
030012230010	TC4	L=10, L1=4	030012230036	TC4	L=36, L1=9
030012230011	TC4	L=11, L1=4	030012230038	TC4	L=38, L1=9
030012230012	TC4	L=12, L1=4	030012230040	TC4	L=40, L1=10
030012230013	TC4	L=13, L1=4	030012330016	TC4	L=16, L2=5
030012230014	TC4	L=14, L1=4	030012330017	TC4	L=17, L2=6
030012230015	TC4	L=15, L1=4	030012330018	TC4	L=18, L2=6
030012230016	TC4	L=16, L1=4	030012330019	TC4	L=19, L2=7
030012230017	TC4	L=17, L1=4	030012330020	TC4	L=20, L2=7
030012230018	TC4	L=18, L1=4	030012330021	TC4	L=21, L2=8
030012230019	TC4	L=19, L1=4	030012330022	TC4	L=22, L2=8
030012230020	TC4	L=20, L1=4	030012330023	TC4	L=23, L2=8
030012230021	TC4	L=21, L1=4	030012330024	TC4	L=24, L2=8
030012230022	TC4	L=22, L1=4	030012330025	TC4	L=25, L2=8
030012230023	TC4	L=23, L1=4	030012330026	TC4	L=26, L2=10
030012230024	TC4	L=24, L1=5	030012330027	TC4	L=27, L2=10
030012230025	TC4	L=25, L1=5	030012330028	TC4	L=28, L2=10
030012230026	TC4	L=26, L1=5	030012330029	TC4	L=29, L2=10
030012230027	TC4	L=27, L1=6	030012330030	TC4	L=30, L2=12
030012230028	TC4	L=28, L1=6	030012330032	TC4	L=32, L2=12
030012230029	TC4	L=29, L1=6	030012330034	TC4	L=34, L2=14
030012230030	TC4	L=30, L1=7	030012330036	TC4	L=36, L2=14
030012230032	TC4	L=32, L1=7	030012330038	TC4	L=38, L2=16
030012230034	TC4	L=34, L1=8	030012330040	TC4	L=40, L2=16

HB4.0 Headless Cannulated Screw (II)



P/N	Material	Spec.	P/N	Material	Spec.
030012540016	TC4	L=16, L1=5	030012540072	TC4	L=72, L1=24
030012540018	TC4	L=18, L1=6	030012640020	TC4	L=20, L2=10
030012540020	TC4	L=20, L1=6	030012640022	TC4	L=22, L2=11
030012540022	TC4	L=22, L1=8	030012640024	TC4	L=24, L2=12
030012540024	TC4	L=24, L1=8	030012640026	TC4	L=26, L2=13
030012540026	TC4	L=26, L1=9	030012640028	TC4	L=28, L2=14
030012540028	TC4	L=28, L1=9	030012640030	TC4	L=30, L2=15
030012540030	TC4	L=30, L1=10	030012640032	TC4	L=32, L2=16
030012540032	TC4	L=32, L1=10	030012640034	TC4	L=34, L2=17
030012540034	TC4	L=34, L1=12	030012640036	TC4	L=36, L2=18
030012540036	TC4	L=36, L1=12	030012640038	TC4	L=38, L2=19
030012540038	TC4	L=38, L1=13	030012640040	TC4	L=40, L2=20
030012540040	TC4	L=40, L1=13	030012640042	TC4	L=42, L2=21
030012540042	TC4	L=42, L1=14	030012640044	TC4	L=44, L2=22
030012540044	TC4	L=44, L1=14	030012640046	TC4	L=46, L2=23
030012540046	TC4	L=46, L1=16	030012640048	TC4	L=48, L2=24
030012540048	TC4	L=48, L1=16	030012640050	TC4	L=50, L2=25
030012540050	TC4	L=50, L1=17	030012640052	TC4	L=52, L2=26
030012540052	TC4	L=52, L1=17	030012640054	TC4	L=54, L2=27
030012540054	TC4	L=54, L1=18	030012640056	TC4	L=56, L2=28
030012540056	TC4	L=56, L1=18	030012640058	TC4	L=58, L2=29
030012540058	TC4	L=58, L1=20	030012640060	TC4	L=60, L2=30
030012540060	TC4	L=60, L1=20	030012640064	TC4	L=64, L2=32
030012540064	TC4	L=64, L1=22	030012640068	TC4	L=68, L2=34
030012540068	TC4	L=68, L1=23	030012640072	TC4	L=72, L2=36

HB4.5 Headless Cannulated Screw (II)



P/N	Material	Spec.
030012245025	TC4	L=25, L0=8
030012245030	TC4	L=30, L0=8
030012245035	TC4	L=35, L0=8
030012245040	TC4	L=40, L0=12
030012245045	TC4	L=45, L0=12
030012245050	TC4	L=50, L0=12
030012245055	TC4	L=55, L0=12
030012245060	TC4	L=60, L0=12
030012245065	TC4	L=65, L0=12
030012245070	TC4	L=70, L0=12
030012245075	TC4	L=75, L0=16
030012245080	TC4	L=80, L0=16
030012245085	TC4	L=85, L0=16
030012245090	TC4	L=90, L0=16
030012245095	TC4	L=95, L0=16
030012245010	TC4	L=100, L0=16

HB5.5 Headless Cannulated Screw (II)



P/N	Material	Spec.
030012055025	TC4	L=25, L0=8
030012055030	TC4	L=30, L0=8
030012055035	TC4	L=35, L0=8
030012055040	TC4	L=40, L0=12
030012055045	TC4	L=45, L0=12
030012055050	TC4	L=50, L0=12
030012055055	TC4	L=55, L0=12
030012055060	TC4	L=60, L0=12
030012055065	TC4	L=65, L0=12
030012055070	TC4	L=70, L0=12
030012055075	TC4	L=75, L0=16
030012055080	TC4	L=80, L0=16
030012055085	TC4	L=85, L0=16
030012055090	TC4	L=90, L0=16
030012055095	TC4	L=95, L0=16
030012055010	TC4	L=100, L0=16

HB6.5 Headless Cannulated Screw (II)



P/N	Material	Spec.
030012365025	TC4	L=25, L0=8
030012365030	TC4	L=30, L0=8
030012365035	TC4	L=35, L0=8
030012365040	TC4	L=40, L0=12
030012365045	TC4	L=45, L0=12
030012365050	TC4	L=50, L0=12
030012365055	TC4	L=55, L0=12
030012365060	TC4	L=60, L0=12
030012365065	TC4	L=65, L0=12
030012365070	TC4	L=70, L0=12
030012365075	TC4	L=75, L0=16
030012365080	TC4	L=80, L0=16
030012365085	TC4	L=85, L0=16
030012365090	TC4	L=90, L0=16
030012365095	TC4	L=95, L0=16
030012365100	TC4	L=100, L0=16

Femoral Nail System



Indications

- Trauma fractures
- Pathological fractures
- Re-fractures
- Non—unions
- Reconstructive surgery

Features & Benefits

- Minimal invasive technique and biomechanical stability allow early functional exercise
- Accurate and fast mechanical aiming device for proximal and distal locking
- Available Ø9mm, Ø10mm and Ø11mm nails

Femoral Nail



P/N	Material	Spec.	P/N	Material	Spec.
030014132320	TC4	Ø9×320	030014142380	TC4	Ø10×380
030014132340	TC4	Ø9×340	030014142400	TC4	Ø10×400
030014132360	TC4	Ø9×360	030014142420	TC4	Ø10×420
030014132380	TC4	Ø9×380	030014152320	TC4	Ø11×320
030014132400	TC4	Ø9×400	030014152340	TC4	Ø11×340
030014132420	TC4	Ø9×420	030014152360	TC4	Ø11×360
030014142320	TC4	Ø10×320	030014152380	TC4	Ø11×380
030014142340	TC4	Ø10×340	030014152400	TC4	Ø11×400
030014142360	TC4	Ø10×360	030014152420	TC4	Ø11×420

4.5mm Locking Screw



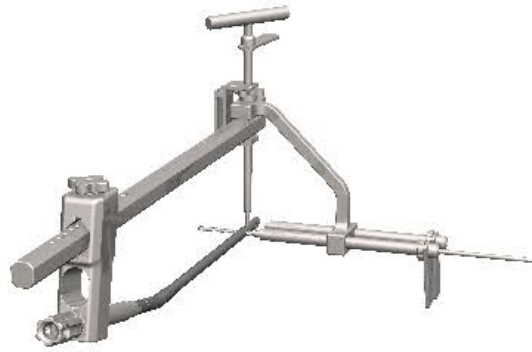
P/N	Material	Spec.	P/N	Material	Spec.
030014145032	TC4	32mm	030014145068	TC4	68mm
030014145034	TC4	34mm	030014145070	TC4	70mm
030014145036	TC4	36mm	030014145072	TC4	72mm
030014145038	TC4	38mm	030014145074	TC4	74mm
030014145040	TC4	40mm	030014145076	TC4	76mm
030014145042	TC4	42mm	030014145078	TC4	78mm
030014145044	TC4	44mm	030014145080	TC4	80mm
030014145046	TC4	46mm	030014145082	TC4	82mm
030014145048	TC4	48mm	030014145084	TC4	84mm
030014145050	TC4	50mm	030014145086	TC4	86mm
030014145052	TC4	52mm	030014145088	TC4	88mm
030014145054	TC4	54mm	030014145090	TC4	90mm
030014145056	TC4	56mm	030014145092	TC4	92mm
030014145058	TC4	58mm	030014145094	TC4	94mm
030014145060	TC4	60mm	030014145096	TC4	96mm
030014145062	TC4	62mm	030014145098	TC4	98mm
030014145064	TC4	64mm	030014145100	TC4	100mm
030014145066	TC4	66mm			

End Cap



P/N	Material	Spec.
030014100000	TC4	/

Tibial Nail System



Indications

- Diaphyseal fractures
- Impending pathologic fractures
- Nonunions or malunion

Features & Benefits

- Minimal invasive technique and biomechanical stability allow early functional exercise
- Accurate and fast mechanical aiming device for proximal and distal locking
- Available Ø8mm, Ø9mm and Ø10mm nails

Tibia Nail



P/N	Material	Spec.	P/N	Material	Spec.
030014222240	TC4	Ø8×240	030014232320	TC4	Ø9×320
030014222260	TC4	Ø8×260	030014232340	TC4	Ø9×340
030014222280	TC4	Ø8×280	030014232360	TC4	Ø9×360
030014222300	TC4	Ø8×300	030014242240	TC4	Ø10×240
030014222320	TC4	Ø8×320	030014242260	TC4	Ø10×260
030014222340	TC4	Ø8×340	030014242280	TC4	Ø10×280
030014222360	TC4	Ø8×360	030014242300	TC4	Ø10×300
030014232240	TC4	Ø9×240	030014242320	TC4	Ø10×320
030014232260	TC4	Ø9×260	030014242340	TC4	Ø10×340
030014232280	TC4	Ø9×280	030014242360	TC4	Ø10×360
030014232300	TC4	Ø9×300			

4.5mm Cortical Screw



P/N	Material	Spec.	P/N	Material	Spec.
030012345028	TC4	28mm	030012345056	TC4	56mm
030012345030	TC4	30mm	030012345058	TC4	58mm
030012345032	TC4	32mm	030012345060	TC4	60mm
030012345034	TC4	34mm	030012345062	TC4	62mm
030012345036	TC4	36mm	030012345064	TC4	64mm
030012345038	TC4	38mm	030012345066	TC4	66mm
030012345040	TC4	40mm	030012345068	TC4	68mm
030012345042	TC4	42mm	030012345070	TC4	70mm
030012345044	TC4	44mm	030012345072	TC4	72mm
030012345046	TC4	46mm	030012345074	TC4	74mm
030012345048	TC4	48mm	030012345076	TC4	76mm
030012345050	TC4	50mm	030012345078	TC4	78mm
030012345052	TC4	52mm	030012345080	TC4	80mm
030012345054	TC4	54mm			

End Cap



P/N	Material	Spec.
030014200000	TC4	/

Humeral Nail System



Indications

- Diaphyseal fractures
- Impending pathologic fractures
- Nonunions or malunion

Features & Benefits

- Minimal invasive technique and biomechanical stability allow early functional exercise
- Accurate and fast mechanical aiming device for proximal and distal locking
- Available Ø7mm, Ø8mm and Ø9mm nails

Humeral Nail



P/N	Material	Spec.	P/N	Material	Spec.
030014312180	TC4	Ø7×180	030014322260	TC4	Ø8×260
030014312200	TC4	Ø7×200	030014322280	TC4	Ø8×280
030014312220	TC4	Ø7×220	030014322300	TC4	Ø8×300
030014312240	TC4	Ø7×240	030014332180	TC4	Ø9×180
030014312260	TC4	Ø7×260	030014332200	TC4	Ø9×200
030014312280	TC4	Ø7×280	030014332220	TC4	Ø9×220
030014312300	TC4	Ø7×300	030014332240	TC4	Ø9×240
030014322180	TC4	Ø8×180	030014332260	TC4	Ø9×260
030014322200	TC4	Ø8×200	030014332280	TC4	Ø9×280
030014322220	TC4	Ø8×220	030014332300	TC4	Ø9×300
030014322240	TC4	Ø8×240			

3.5mm Cortical Screw



P/N	Material	Spec.	P/N	Material	Spec.
030012235016	TC4	16mm	030012235034	TC4	34mm
030012235018	TC4	18mm	030012235036	TC4	36mm
030012235020	TC4	20mm	030012235038	TC4	38mm
030012235022	TC4	22mm	030012235040	TC4	40mm
030012235024	TC4	24mm	030012235042	TC4	42mm
030012235026	TC4	26mm	030012235044	TC4	44mm
030012235028	TC4	28mm	030012235046	TC4	46mm
030012235030	TC4	30mm	030012235048	TC4	48mm
030012235032	TC4	32mm	030012235050	TC4	50mm

End Cap



P/N	Material	Spec.
030014300000	TC4	/

PFNA Nail System



Indications

- PFNA Nail, Standard (Length 180 mm – 240 mm)
- Pertrochanteric fractures (31-A1 and 31-A2)
 - Intertrochanteric fractures (31-A3)
 - High subtrochanteric fractures (32-A1)

PFNA Nail, Long (Length 320 mm – 420 mm)

- Low and extended subtrochanteric fractures
- Ipsilateral trochanteric fractures
- Combination fractures (in the proximal femur)
- Pathological fractures

Features & Benefits

- Rotational and angular stability achieved with one single element
- A medial-lateral angle of 6° allows insertion at the tip of the greater trochanter
- Several distal locking options

PFNA Nail, Standard



P/N	Material	Spec.
030014432180	TC4	Φ9×180
030014432200	TC4	Φ9×200
030014432240	TC4	Φ9×240
030014442180	TC4	Φ10×180
030014442200	TC4	Φ10×200
030014442240	TC4	Φ10×240
030014452180	TC4	Φ11×180
030014452200	TC4	Φ11×200
030014452240	TC4	Φ11×240
030014472180	TC4	Φ12×180
030014472200	TC4	Φ12×200
030014472240	TC4	Φ12×240

PFNA Nail, Long



P/N	Material	Spec.	P/N	Material	Spec.
030014430320	TC4	Φ9×320L	030014450320	TC4	Φ11×320L
030014430340	TC4	Φ9×340L	030014450340	TC4	Φ11×340L
030014430360	TC4	Φ9×360L	030014450360	TC4	Φ11×360L
030014430380	TC4	Φ9×380L	030014450380	TC4	Φ11×380L
030014430400	TC4	Φ9×400L	030014450400	TC4	Φ11×400L
030014430420	TC4	Φ9×420L	030014450420	TC4	Φ11×420L
030014431320	TC4	Φ9×320R	030014451320	TC4	Φ11×320R
030014431340	TC4	Φ9×340R	030014451340	TC4	Φ11×340R
030014431360	TC4	Φ9×360R	030014451360	TC4	Φ11×360R
030014431380	TC4	Φ9×380R	030014451380	TC4	Φ11×380R
030014431400	TC4	Φ9×400R	030014451400	TC4	Φ11×400R
030014431420	TC4	Φ9×420R	030014451420	TC4	Φ11×420R
030014440320	TC4	Φ10×320L	030014470320	TC4	Φ12×320L
030014440340	TC4	Φ10×340L	030014470340	TC4	Φ12×340L
030014440360	TC4	Φ10×360L	030014470360	TC4	Φ12×360L
030014440380	TC4	Φ10×380L	030014470380	TC4	Φ12×380L
030014440400	TC4	Φ10×400L	030014470400	TC4	Φ12×400L
030014440420	TC4	Φ10×420L	030014470420	TC4	Φ12×420L
030014441320	TC4	Φ10×320R	030014471320	TC4	Φ12×320R
030014441340	TC4	Φ10×340R	030014471340	TC4	Φ12×340R
030014441360	TC4	Φ10×360R	030014471360	TC4	Φ12×360R
030014441380	TC4	Φ10×380R	030014471380	TC4	Φ12×380R
030014441400	TC4	Φ10×400R	030014471400	TC4	Φ12×400R
030014441420	TC4	Φ10×420R	030014471420	TC4	Φ12×420R

Blade Screw



P/N	Material	Spec.
030014401080	TC4	80mm
030014401085	TC4	85mm
030014401090	TC4	90mm
030014401095	TC4	95mm
030014401100	TC4	100mm
030014401105	TC4	105mm
030014401110	TC4	110mm
030014401115	TC4	115mm
030014401120	TC4	120mm

End Cap



P/N	Material	Spec.
030014400000	TC4	Long

End Cap



P/N	Material	Spec.
030014400001	TC4	Short 0mm
030014400002	TC4	Short 5mm
030014400003	TC4	Short 10mm
030014400004	TC4	Short 15mm

5.0mm Locking Screw



P/N	Material	Spec.	P/N	Material	Spec.
030014450026	TC4	Φ5×26	030014450058	TC4	Φ5×58
030014450028	TC4	Φ5×28	030014450060	TC4	Φ5×60
030014450030	TC4	Φ5×30	030014450062	TC4	Φ5×62
030014450032	TC4	Φ5×32	030014450064	TC4	Φ5×64
030014450034	TC4	Φ5×34	030014450066	TC4	Φ5×66
030014450036	TC4	Φ5×36	030014450068	TC4	Φ5×68
030014450038	TC4	Φ5×38	030014450070	TC4	Φ5×70
030014450040	TC4	Φ5×40	030014450072	TC4	Φ5×72
030014450042	TC4	Φ5×42	030014450074	TC4	Φ5×74
030014450044	TC4	Φ5×44	030014450076	TC4	Φ5×76
030014450046	TC4	Φ5×46	030014450078	TC4	Φ5×78
030014450048	TC4	Φ5×48	030014450080	TC4	Φ5×80
030014450050	TC4	Φ5×50	030014450085	TC4	Φ5×85
030014450052	TC4	Φ5×52	030014450090	TC4	Φ5×90
030014450054	TC4	Φ5×54	030014450095	TC4	Φ5×95
030014450056	TC4	Φ5×56	030014450100	TC4	Φ5×100

INTERTAN Nail System



Indications

- Femur fractures
- Subtrochanteric fractures
- Intertrochanteric fractures
- Ipsilateral femoral shaft/neck fractures
- Intracapsular fractures
- Nonunions and malunions
- Polytrauma and multiple fractures
- Prophylactic nailing of impending pathologic fractures
- Reconstruction, following tumor resection and grafting
- Bone lengthening and shortening

Features & Benefits

- Integrated Interlocking Lag & Compression Screws for superior stability and linear compression
- The 5° lateral offset for minimally invasive trochanteric entry
- Distal locking slot allows static or dynamic locking

INTERTAN Nail, Standard



P/N	Material	Spec.
030014832200	TC4	Φ9×200
030014832240	TC4	Φ9×240
030014842200	TC4	Φ10×200
030014842240	TC4	Φ10×240
030014852200	TC4	Φ11×200

P/N	Material	Spec.
030014852240	TC4	Φ11×240
030014872200	TC4	Φ12×200
030014872240	TC4	Φ12×240
030014882200	TC4	Φ13×200
030014882240	TC4	Φ13×240

P/N	Material	Spec.
030014930280	TC4	Φ9×280L
030014930300	TC4	Φ9×300L
030014930320	TC4	Φ9×320L
030014930340	TC4	Φ9×340L
030014930360	TC4	Φ9×360L
030014930380	TC4	Φ9×380L
030014930400	TC4	Φ9×400L
030014931280	TC4	Φ9×280R
030014931300	TC4	Φ9×300R
030014931320	TC4	Φ9×320R
030014931340	TC4	Φ9×340R
030014931360	TC4	Φ9×360R
030014931380	TC4	Φ9×380R
030014931400	TC4	Φ9×400R
030014940280	TC4	Φ10×280L
030014940300	TC4	Φ10×300L
030014940320	TC4	Φ10×320L
030014940340	TC4	Φ10×340L
030014940360	TC4	Φ10×360L
030014940380	TC4	Φ10×380L
030014940400	TC4	Φ10×400L
030014941280	TC4	Φ10×280R
030014941300	TC4	Φ10×300R
030014941320	TC4	Φ10×320R
030014941340	TC4	Φ10×340R
030014941360	TC4	Φ10×360R
030014941380	TC4	Φ10×380R
030014941400	TC4	Φ10×400R
030014950280	TC4	Φ11×280L
030014950300	TC4	Φ11×300L
030014950320	TC4	Φ11×320L
030014950340	TC4	Φ11×340L
030014950360	TC4	Φ11×360L
030014950380	TC4	Φ11×380L
030014950400	TC4	Φ11×400L

P/N	Material	Spec.
030014951280	TC4	Φ11×280R
030014951300	TC4	Φ11×300R
030014951320	TC4	Φ11×320R
030014951340	TC4	Φ11×340R
030014951360	TC4	Φ11×360R
030014951380	TC4	Φ11×380R
030014951400	TC4	Φ11×400R
030014970280	TC4	Φ12×280L
030014970300	TC4	Φ12×300L
030014970320	TC4	Φ12×320L
030014970340	TC4	Φ12×340L
030014970360	TC4	Φ12×360L
030014970380	TC4	Φ12×380L
030014970400	TC4	Φ12×400L
030014971280	TC4	Φ12×280R
030014971300	TC4	Φ12×300R
030014971320	TC4	Φ12×320R
030014971340	TC4	Φ12×340R
030014971360	TC4	Φ12×360R
030014971380	TC4	Φ12×380R
030014971400	TC4	Φ12×400R
030014980280	TC4	Φ13×280L
030014980300	TC4	Φ13×300L
030014980320	TC4	Φ13×320L
030014980340	TC4	Φ13×340L
030014980360	TC4	Φ13×360L
030014980380	TC4	Φ13×380L
030014980400	TC4	Φ13×400L
030014981280	TC4	Φ13×280R
030014981300	TC4	Φ13×300R
030014981320	TC4	Φ13×320R
030014981340	TC4	Φ13×340R
030014981360	TC4	Φ13×360R
030014981380	TC4	Φ13×380R
030014981400	TC4	Φ13×400R

INTERTAN Nail, Long



Anti-Rotation Subtrochanteric Lag Screw



P/N	Material	Spec.
030014100070	TC4	70mm
030014100075	TC4	75mm
030014100080	TC4	80mm
030014100085	TC4	85mm
030014100090	TC4	90mm
030014100095	TC4	95mm
030014100100	TC4	100mm
030014100105	TC4	105mm
030014100110	TC4	110mm
030014100115	TC4	115mm
030014100120	TC4	120mm

Recon Compression Locking Screw



P/N	Material	Spec.
030014200070	TC4	70mm
030014200075	TC4	75mm
030014200080	TC4	80mm
030014200085	TC4	85mm
030014200090	TC4	90mm
030014200095	TC4	95mm
030014200100	TC4	100mm
030014200105	TC4	105mm
030014200110	TC4	110mm
030014200115	TC4	115mm
030014200120	TC4	120mm

5.0mm Distal Locking Screw



P/N	Material	Spec.
030014150030	TC4	Φ5.0×30
030014150035	TC4	Φ5.0×35
030014150040	TC4	Φ5.0×40
030014150045	TC4	Φ5.0×45
030014150050	TC4	Φ5.0×50
030014150055	TC4	Φ5.0×55
030014150060	TC4	Φ5.0×60
030014150065	TC4	Φ5.0×65
030014150070	TC4	Φ5.0×70
030014150075	TC4	Φ5.0×75
030014150080	TC4	Φ5.0×80

End Cap



P/N	Material	Spec.
030014000001	TC4	/

Expert Femoral Nail System



Indications

- Proximal Locking, Standard: Fractures of the femoral shaft
- Proximal Locking, Reconstruction: Ipsilateral neck/shaft fractures, Subtrochanteric fractures

Features & Benefits

- A medial-lateral angle of 6° allows insertion at the tip of the greater trochanter
- Multi-plane locking options increase the stability of distal fragment
- Dynamic and static distal locking options
- Within threaded locking hole design prevents the locking screws back-out.
- Oblique distal locking screw creates an axial stable angle of 18° to the coronal plane
- Proximal locking screw with 125° design extends the range of indications
- Adjustable radiolucent and lever-compression targeting arm (optional)

Expert Femoral Nail



P/N	Material	Spec.
030014540300	TC4	Φ10x300L
030014540320	TC4	Φ10x320L
030014540340	TC4	Φ10x340L
030014540360	TC4	Φ10x360L
030014540380	TC4	Φ10x380L
030014540400	TC4	Φ10x400L
030014540420	TC4	Φ10x420L
030014541300	TC4	Φ10x300R
030014541320	TC4	Φ10x320R
030014541340	TC4	Φ10x340R
030014541360	TC4	Φ10x360R
030014541380	TC4	Φ10x380R
030014541400	TC4	Φ10x400R
030014541420	TC4	Φ10x420R
030014560300	TC4	Φ11.5x300L
030014560320	TC4	Φ11.5x320L
030014560340	TC4	Φ11.5x340L
030014560360	TC4	Φ11.5x360L
030014560380	TC4	Φ11.5x380L
030014560400	TC4	Φ11.5x400L
030014560420	TC4	Φ11.5x420L

P/N	Material	Spec.
030014561300	TC4	Φ11.5x300R
030014561320	TC4	Φ11.5x320R
030014561340	TC4	Φ11.5x340R
030014561360	TC4	Φ11.5x360R
030014561380	TC4	Φ11.5x380R
030014561400	TC4	Φ11.5x400R
030014561420	TC4	Φ11.5x420R
030014580300	TC4	Φ13x300L
030014580320	TC4	Φ13x320L
030014580340	TC4	Φ13x340L
030014580360	TC4	Φ13x360L
030014580380	TC4	Φ13x380L
030014580400	TC4	Φ13x400L
030014580420	TC4	Φ13x420L
030014581300	TC4	Φ13x300R
030014581320	TC4	Φ13x320R
030014581340	TC4	Φ13x340R
030014581360	TC4	Φ13x360R
030014581380	TC4	Φ13x380R
030014581400	TC4	Φ13x400R
030014581420	TC4	Φ13x420R

Lag Screw



P/N	Material	Spec.
030014564070	TC4	Φ6.4x70
030014564075	TC4	Φ6.4x75
030014564080	TC4	Φ6.4x80
030014564085	TC4	Φ6.4x85
030014564090	TC4	Φ6.4x90

P/N	Material	Spec.
030014564095	TC4	Φ6.4x95
030014564000	TC4	Φ6.4x100
030014564005	TC4	Φ6.4x105
030014564010	TC4	Φ6.4x110

5.0mm Locking Screw



P/N	Material	Spec.
030014550025	TC4	Φ5.0x25
030014550030	TC4	Φ5.0x30
030014550035	TC4	Φ5.0x35
030014550040	TC4	Φ5.0x40
030014550045	TC4	Φ5.0x45

P/N	Material	Spec.
030014550050	TC4	Φ5.0x50
030014550055	TC4	Φ5.0x55
030014550060	TC4	Φ5.0x60
030014550065	TC4	Φ5.0x65
030014550070	TC4	Φ5.0x70

End Cap



P/N	Material	Spec.
030014500001	TC4	0mm
030014500002	TC4	5mm
030014500003	TC4	10mm
030014500004	TC4	15mm

Expert Tibia Nail System



Indications

- Tibial diaphyseal fractures
- Tibial metaphysis fractures
- Certain intra-articular fractures of tibia plateau and PILON fractures

Features & Benefits

- Multi-plane locking options, in combination with cancellous bone locking screws increase the stability of proximal fragment for intra-articular fractures of tibia
- Oblique distal locking screw creates an axial stable angle of 28° to the coronal plane
- Oblong hole in the coronal plane enable intra-operative compression or post-operative compression
- Dual-lead thread and large core diameter increase bending and shear strength
- Adjustable radiolucent and lever-compression targeting arm (optional)

Expert Tibia Nail



P/N	Material	Spec.
030014632270	TC4	Φ9x270
030014632285	TC4	Φ9x285
030014632300	TC4	Φ9x300
030014632315	TC4	Φ9x315
030014632330	TC4	Φ9x330
030014632345	TC4	Φ9x345
030014632360	TC4	Φ9x360
030014632375	TC4	Φ9x375
030014632390	TC4	Φ9x390
030014642270	TC4	Φ10x270
030014642285	TC4	Φ10x285
030014642300	TC4	Φ10x300
030014642315	TC4	Φ10x315
030014642330	TC4	Φ10x330
030014642345	TC4	Φ10x345
030014642360	TC4	Φ10x360
030014642375	TC4	Φ10x375
030014642390	TC4	Φ10x390

P/N	Material	Spec.
030014652270	TC4	Φ11x270
030014652285	TC4	Φ11x285
030014652300	TC4	Φ11x300
030014652315	TC4	Φ11x315
030014652330	TC4	Φ11x330
030014652345	TC4	Φ11x345
030014652360	TC4	Φ11x360
030014652375	TC4	Φ11x375
030014652390	TC4	Φ11x390
030014672270	TC4	Φ12x270
030014672285	TC4	Φ12x285
030014672300	TC4	Φ12x300
030014672315	TC4	Φ12x315
030014672330	TC4	Φ12x330
030014672345	TC4	Φ12x345
030014672360	TC4	Φ12x360
030014672375	TC4	Φ12x375
030014672390	TC4	Φ12x390

4.5mm Locking Screw



P/N	Material	Spec.
030014645025	TC4	Φ4.5x25
030014645030	TC4	Φ4.5x30
030014645035	TC4	Φ4.5x35
030014645040	TC4	Φ4.5x40
030014645045	TC4	Φ4.5x45
030014645050	TC4	Φ4.5x50
030014645055	TC4	Φ4.5x55

P/N	Material	Spec.
030014645060	TC4	Φ4.5x60
030014645065	TC4	Φ4.5x65
030014645070	TC4	Φ4.5x70
030014645075	TC4	Φ4.5x75
030014645080	TC4	Φ4.5x80
030014645085	TC4	Φ4.5x85
030014645090	TC4	Φ4.5x90

End Cap



P/N	Material	Spec.
030014600001	TC4	0mm
030014600002	TC4	5mm
030014600003	TC4	10mm
030014600004	TC4	15mm

